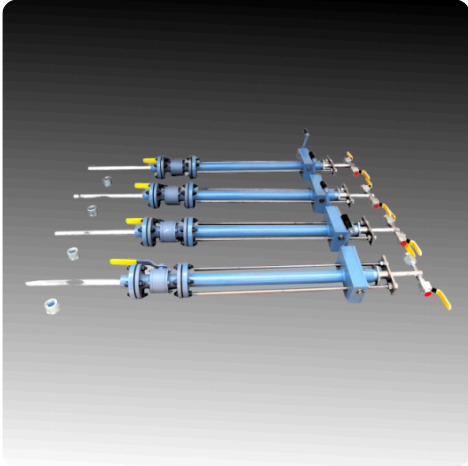




An iso 9001:2015 Company

# AVERAGING BAR

## AVERAGING BAR



Averaging Bar also known as Multiport Averaging Pitot have application for air, gases, liquids & steam flow measurement. These are used where minimum permanent pressure loss is desired. Averaging Bar is compact and easy to install and maintenance free. It is designed to fit in the duct/pipe of any size and shape circular, square or rectangular. Averaging Bar can be provided with online insert-retract mechanism. This is useful when the fluid is not clean and has some solid particles which can clog the sensing ports of Averaging Bar. Instead of Insert-retract mechanism, auto purging of Air for cleaning the clogged sensing ports is more advantageous. In this, compressed Air is purged into the Averaging Bar. This cleans the clogged ports. The frequency of purging can be controlled through DCS or with timers

## Technical Specifications

<b>Inlet Sizes</b>	50 NB to Any Size
<b>Design Standard</b>	R.W.Miller.
<b>Pipe / Flange Material</b>	Carbon Steel, Stainless Steel, Alloy Steel, Hastelloy, Titanium, Monel, etc.
<b>Averaging Bar Material</b>	Stainless Steel, Hastelloy, Titanium, Monel, etc.
<b>Mounting type</b>	Flanged, Threaded, Ferrule, Direct
<b>Typical Applications</b>	Gases, Liquids, Steam